

# MODEL "190LS"

## Line Shaft Live Roller Conveyor

- **Low pressure accumulation**
- **Clean room installation**
- **Economical transportation conveyor**
- **Assembly conveyor**



### STANDARD SPECIFICATIONS

**Driving Belts** -  $\frac{3}{16}$ " diameter round urethane "O" rings from drive shaft to tread rollers.

**Bed** - 7" x  $1\frac{1}{2}$ " x 12 gauge powder painted formed steel channel frame with heavy duty cross braces and splice plates.

**Rollers** - 1.9" diameter x 16 gauge galvanized steel tread rollers with  $\frac{7}{16}$ " hex shaft and sealed, greased for life bearings, spaced on 3" centers.

**Floor Supports** - Adjustable  $31\frac{1}{2}$ " to  $45\frac{1}{2}$ " from floor to top of tread roller. One support supplied at each end of conveyor and at each bed joint.

**Drive** - 2 foot module with motor and reducer. Drive module will be bolted to intermediate section.

**Drive Shaft** - 1" diameter steel shaft, driven by motor and reducer, runs full length of conveyor. Chain coupling supplied at bed joints to couple sections together.

**Drive Spools** - Delrin spools located on drive shaft supplies driving power to tread rollers.

**Drive Shaft Bearings** - Sealed, prelubricated, self aligning, precision ball bearings on drive shaft.

**Speed Reducer** - C-Face mounted, heavy duty worm gear reducer.

**Motor** -  $\frac{1}{2}$  HP 230/460/3-60 TE motor.

**Drive Guard** - Perforated metal guard full length of conveyor covers drive shaft and other moving drive components.

**Conveying Speed** - 60 FPM constant.

**Capacity** - 15 lbs. per tread roller maximum. Not to exceed Load Capacity Chart.

### OPTIONAL EQUIPMENT

**Conveying Speed** - Constant and variable speeds from 30 to 120 FPM available.

**Timing Belt Drive** - For speeds over 90 FPM a timing belt drive in lieu of #50 chain drive is recommended.

**Roller Centers** - Tread rollers can be placed on  $2\frac{1}{4}$ ", 4", 6", or 8" centers. NOTE: Capacities change as roller centers change. See engineering section of price list for capacity changes.

**Floor Supports** - Lower or higher supports available. Minimum elevation with standard drive mounting is 18" from floor to top of rollers.

**Powered Right Angle Belt Transfer** - Air operated pop-up round belt transfer mounted in 32" long modular section, 75 lbs. maximum unit load.

**Package Stops** - Manual or air operated blade or roller stops available.

**Guard Rails** - Adjustable channel or solid fixed guard rails available.

**Motor** - Single phase, energy efficient, explosion proof, etc. Other HP available.

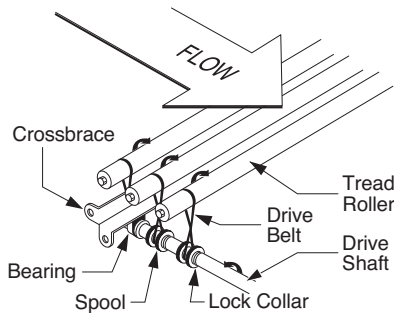
**Ceiling Hangers** -  $\frac{1}{2}$ " diameter threaded rods 8 feet long with locking nuts and mounting hardware.

**Jump Chain** - One-to-one chain drive moves drive shaft to opposite side for driving various optional accessories.

# MODEL "190LS"



Overall Length	Intermediate Length	Between Frames	15"	21"	27"	33"	39"
		Overall Frame Width	18"	24"	30"	36"	42"
5'	3'	<b>Weight (lbs.)</b>  <b>Weights Based on 3" Roller Centers</b>	224	260	295	329	364
10'	8'		361	428	491	553	616
15'	13'		498	595	686	776	868
18'	20'		635	762	882	1000	1120
25'	23'		773	930	1077	1224	1371
30'	28'		910	1097	1273	1448	1623
35'	33'		1047	1264	1468	1671	1875
40'	38'		1184	1432	1664	1895	2127
45'	43'		1322	1599	1859	2119	2379
50'	48'		1459	1766	2055	2342	2631
55'	53'		1596	1934	2250	2566	2883
58'	60'		1733	2101	2446	2790	3135
65'	63'		1871	2268	2641	3014	3387
70'	68'		2008	2436	2837	3237	3639
75'	73'		2145	2603	3032	3461	3891
80'	78'		2282	2770	3228	3685	4143
85'	83'		2420	2937	3423	3909	4394
90'	88'		2557	3105	3619	4132	4646
95'	93'		2694	3272	3815	4357	4898
100'	98'		2831	3439	4010	4580	5150



HP	Overall Frame Width 16" to 22"			Overall Frame Width 24" to 30"			Overall Frame Width 34" to 42"		
	Total Load (lbs.)			Total Load (lbs.)			Total Load (lbs.)		
	Up to 60'	Up to 90'	Up to 120'	Up to 60'	Up to 90'	Up to 120'	Up to 60'	Up to 90'	Up to 120'
1/2	1550	580	-	1340	250	-	1020	-	-
3/4	3310	2330	1360	3090	2010	920	2770	1530	280
1	*3600	4090	3110	*3600	3770	2680	*3600	3280	2040
1 1/2	-	*5400	6620	-	*5400	6190	-	*5400	5550
2	-	-	*7200	-	-	*7200	-	-	*7200

**\*NOTE:** Capacities based on 3" roller centers with all rollers driven. Rollers limited to 15 lbs. maximum live load per roller. See Engineering Section of Price List for capacities with other than 3" roller centers.

## OPERATIONAL SEQUENCE

- 1" diameter drive shaft is powered by motor reducer drive. Drive shaft is supported by bearings mounted to conveyor cross braces and coupled at bed joints with chain coupling.
- Drive spools are located on drive shaft and held in place with lock collars. When drive shaft turns, spools turn and by means of drive belt, transmits power to tread roller.
- When package flow is interrupted for accumulation, drive spool will slip on drive shaft eliminating power to tread roller.

